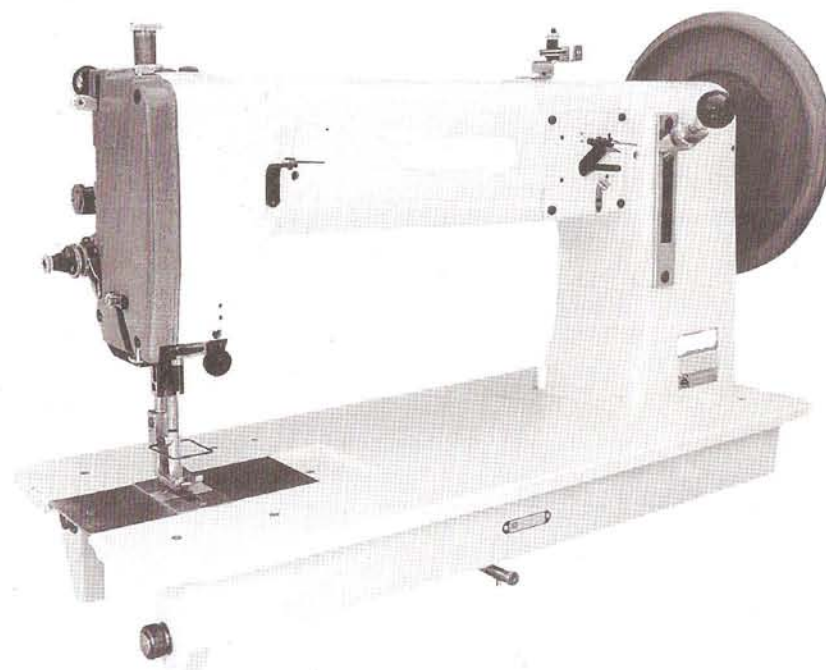


243 型综合送料特厚料缝纫机



使用说明 零件样本

Operation Manual
Parts Book



东莞市精能针车机械有限公司

使用前准备，保养知识

1. 新的或存放已久的机器，在使用前应先清除表面灰尘和防锈油脂，然后在机器的运转和滑动部分注入缝纫机油数滴，并空车运转几分钟。
2. 机器在运转时，上轮的运转方向应是逆时针时。
3. 机针和缝线的选择应根据缝料的性质和工作的要求来决定：
 - (1) 机针的规格应根据缝线的粗细选用，以能使缝线在机针的针孔和线槽中顺利通过为准，粗细不匀和有结疤的缝线都将影响缝线的性能。
 - (2) 本机的面线和底线对左旋线和右旋线都不加限制。
4. 机器的缝纫速度，应按缝料的性质和厚度来决定，惟最大速度不应超出800 转 / 分，转速过高将引起机件损坏，影响使用寿命。
5. 机器的清楚积尘和全部加油润滑，要求每工作班次不少于二次。

1. Before using the machines which are new or stored for a long time, should clean the dust and rust preventive petrolatum on the surface of the machines, then drip a few sewing machine oil on the rotating and slip sections and operate for a while in empty condition.

2. When the machine is operating the upper wheel should run anticlockwise.

3. The machine needle and thread should be chosen according to the quality of sewing materials and the requirements of work.

(1) The standard of needle should follow the thickness of thread, according to whether the thread can waltz through the pinhole and neck groove. The thread of which thickness is not even and having knots will have effect to machine.

(2) The upper thread and base thread have no limitation on the levorotatory thread and dextrorotary thread.

4. The speed of needlework accord with the quality and thickness of materials, and the top speed is 800 rotation/min, too high speed lead to the damage to components so as to effect the work life

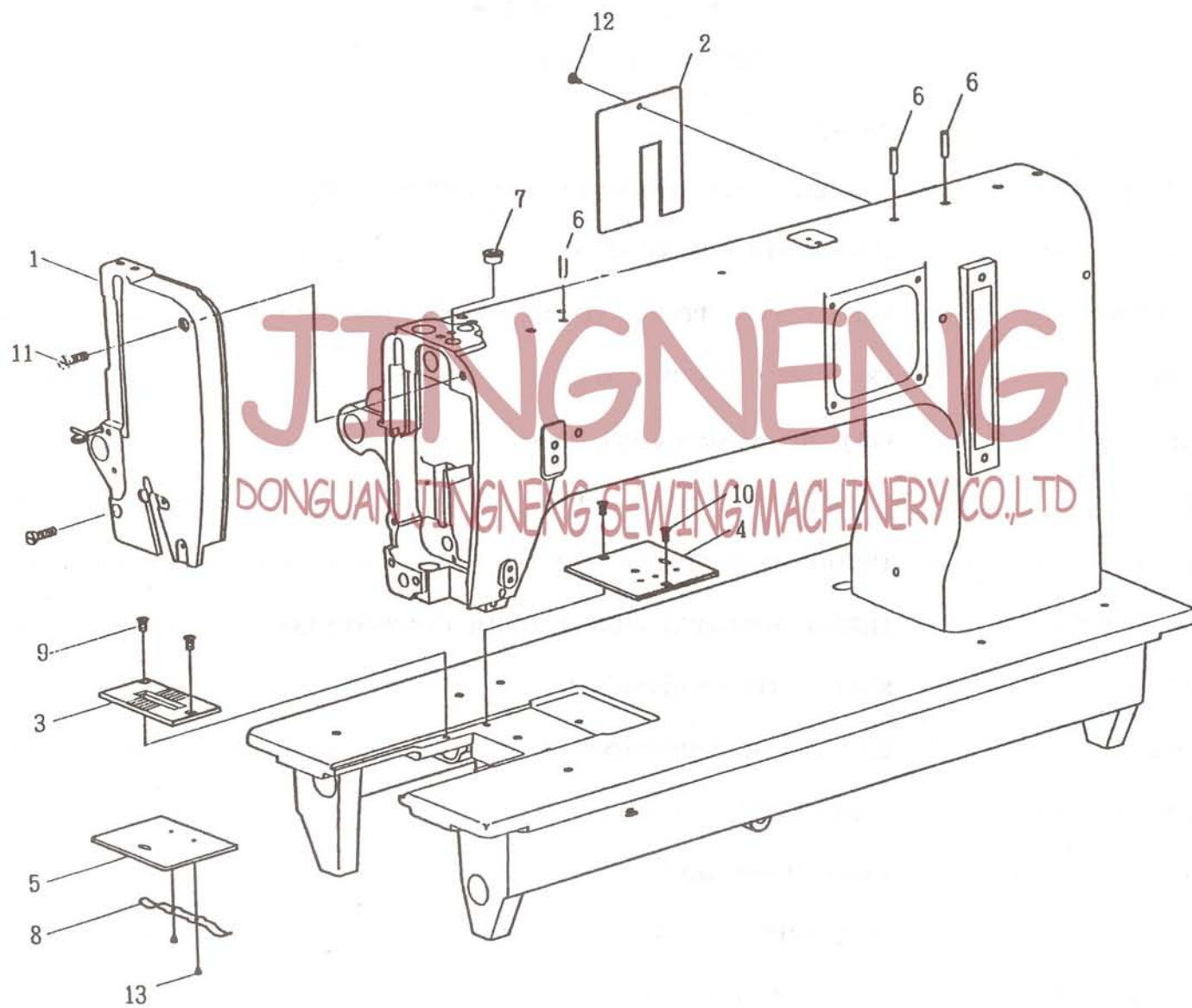
5. The dust clean and dripping oil should do in every work time for at least 2 times.

目 录

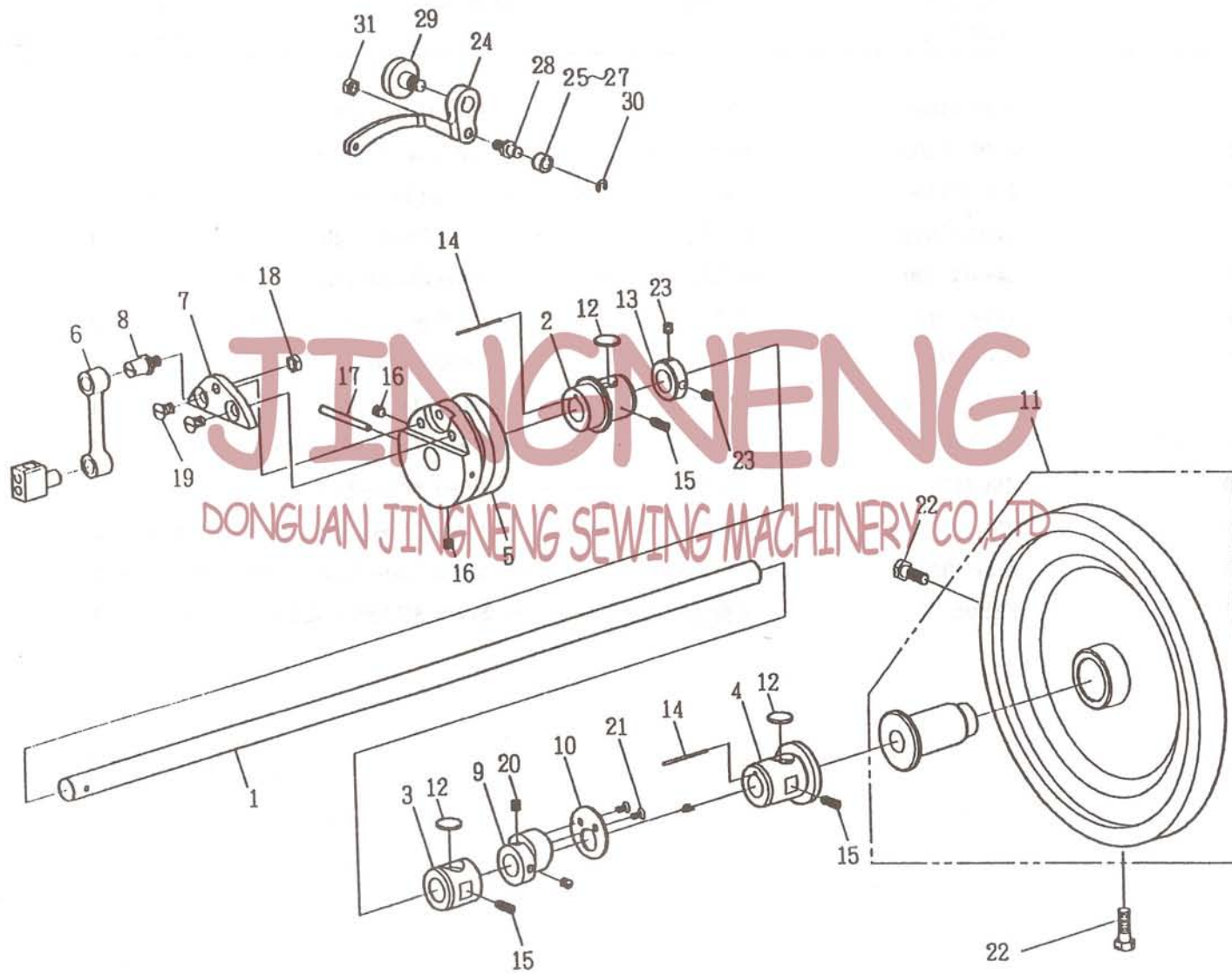
MODEL : 243

索引	INDEX	PAGE
A. 机壳、外装机构	FRAME & MISCELLANEOUS COVER COMPONENTS	2-3
B. 上轴机构	MAIN SHAFT COMPONENTS	4-5
C. 针杆·上送料机构	NEEDLE BAR·UPPER FEED MECHANISM COMPONENTS	6-11
D. 压脚机构	PRESSURE BAR COMPONENTS	12-13
E. 送料机构	FEED MECHANISM COMPONENTS	14-17
F. 下轴机构	HOOK DRIVING SHAFT COMPONENTS	18-21
G. 夹线器机构	TENSION POST COMPONENTS	22-23
H. 绕线器、穿线机构	THREAD WINDER & THREAD GUIDE COMPONENTS	24-27
I. 膝动提升机构	KNEE LIFTER COMPONENTS	28-31
J. 皮带罩机构	BELT COVER COMPONENTS	32-33
K. 线架机构	THREAD STAND COMPONENTS	34-35
L. 台板机架	TABLE COMPONENTS	36-37
M. 附件	ACCESSORIES PARTS COMPONENTS	38-41
N. 零件号码与页数对照表	NUMERICAL PARTS-LIST	42-44

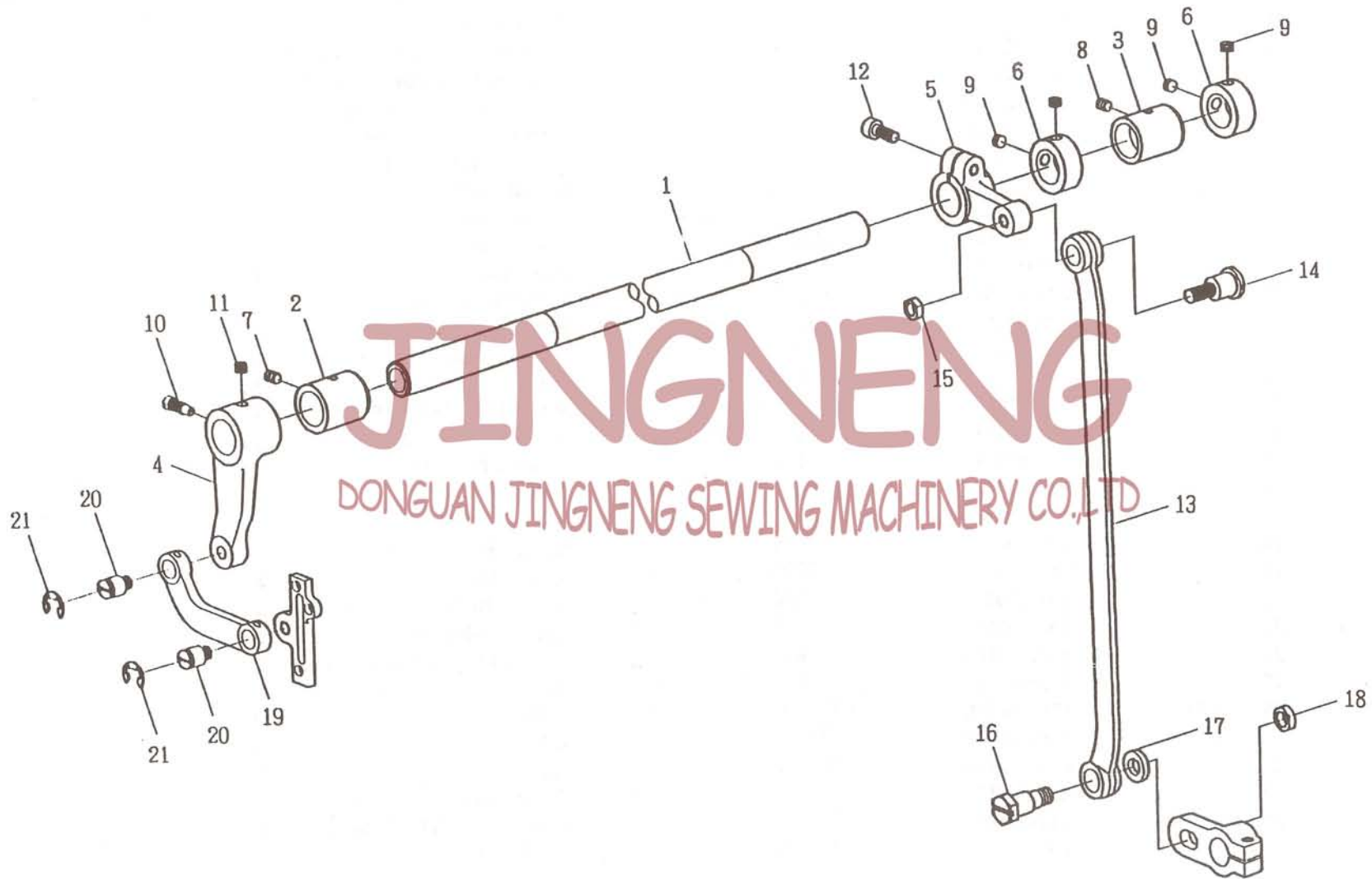
A. 243 机壳、外装机构 FRAME & MISCELLANEOUS COVER COMPONENTS



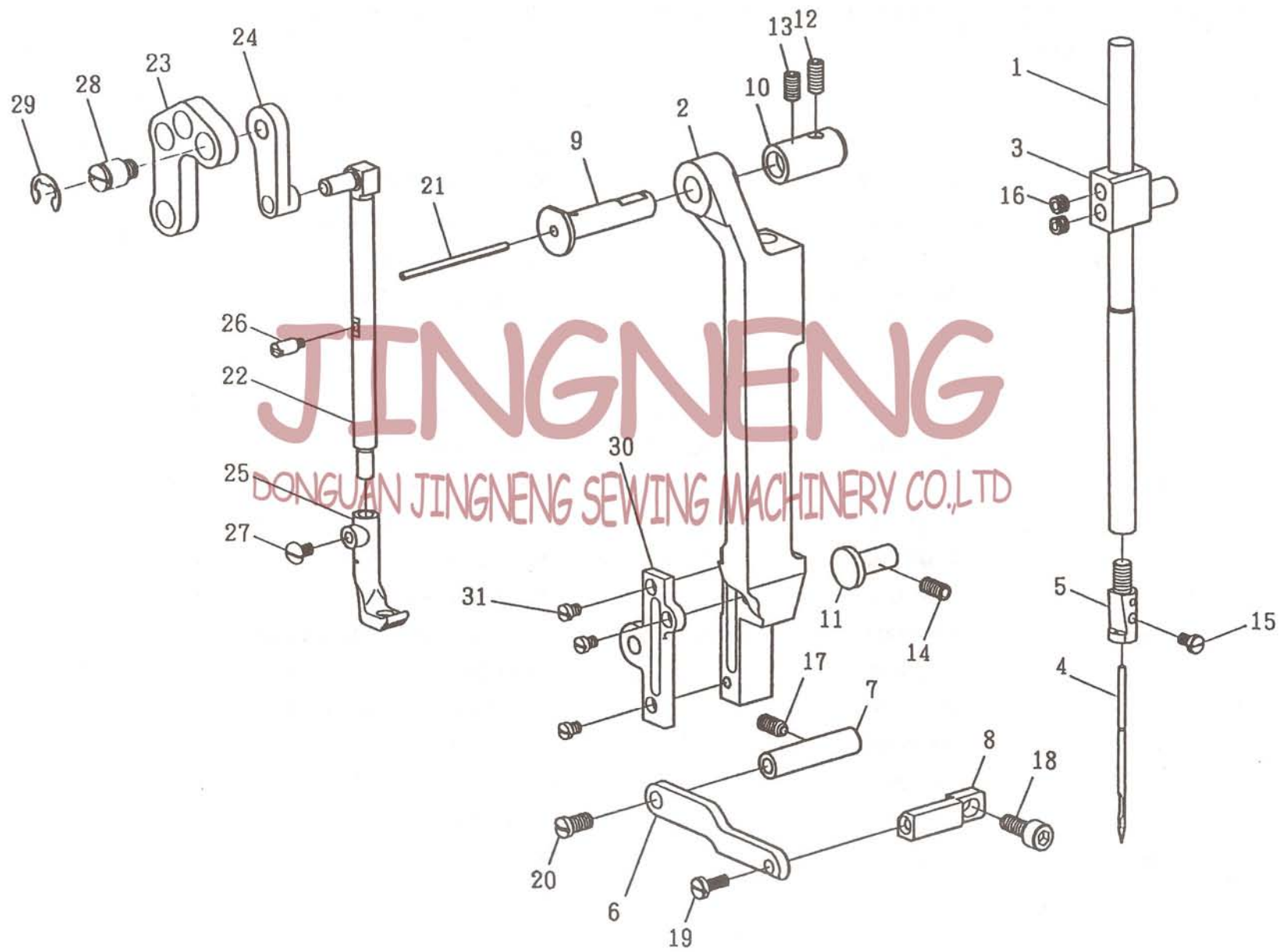
B. 243 上轴机构 MAIN SHAFT COMPONENTS



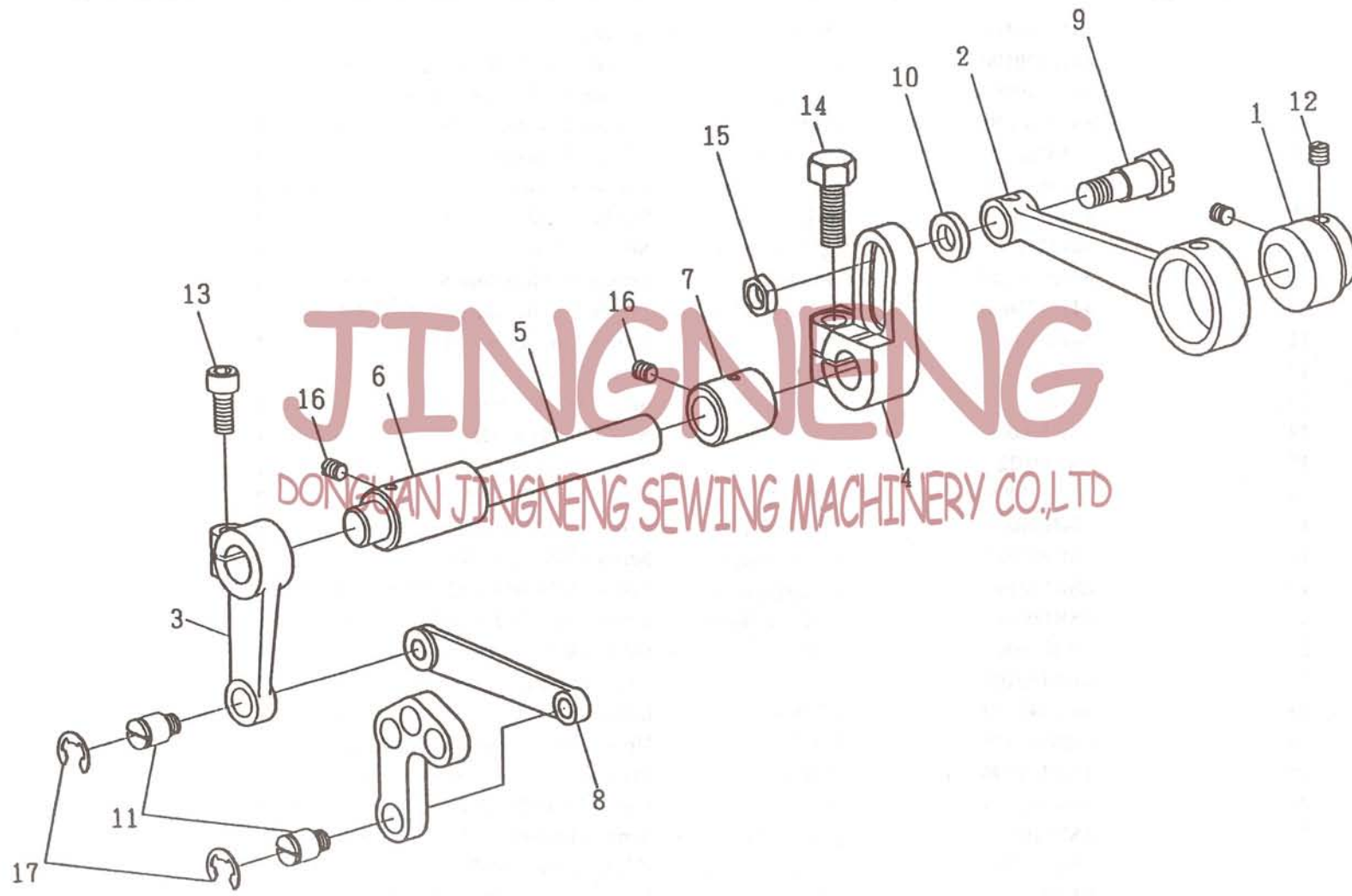
C. 243 针杆•上送料机构 NDDELE BAR UPPER FEED MECHANISM COMPONENTS(1/3)



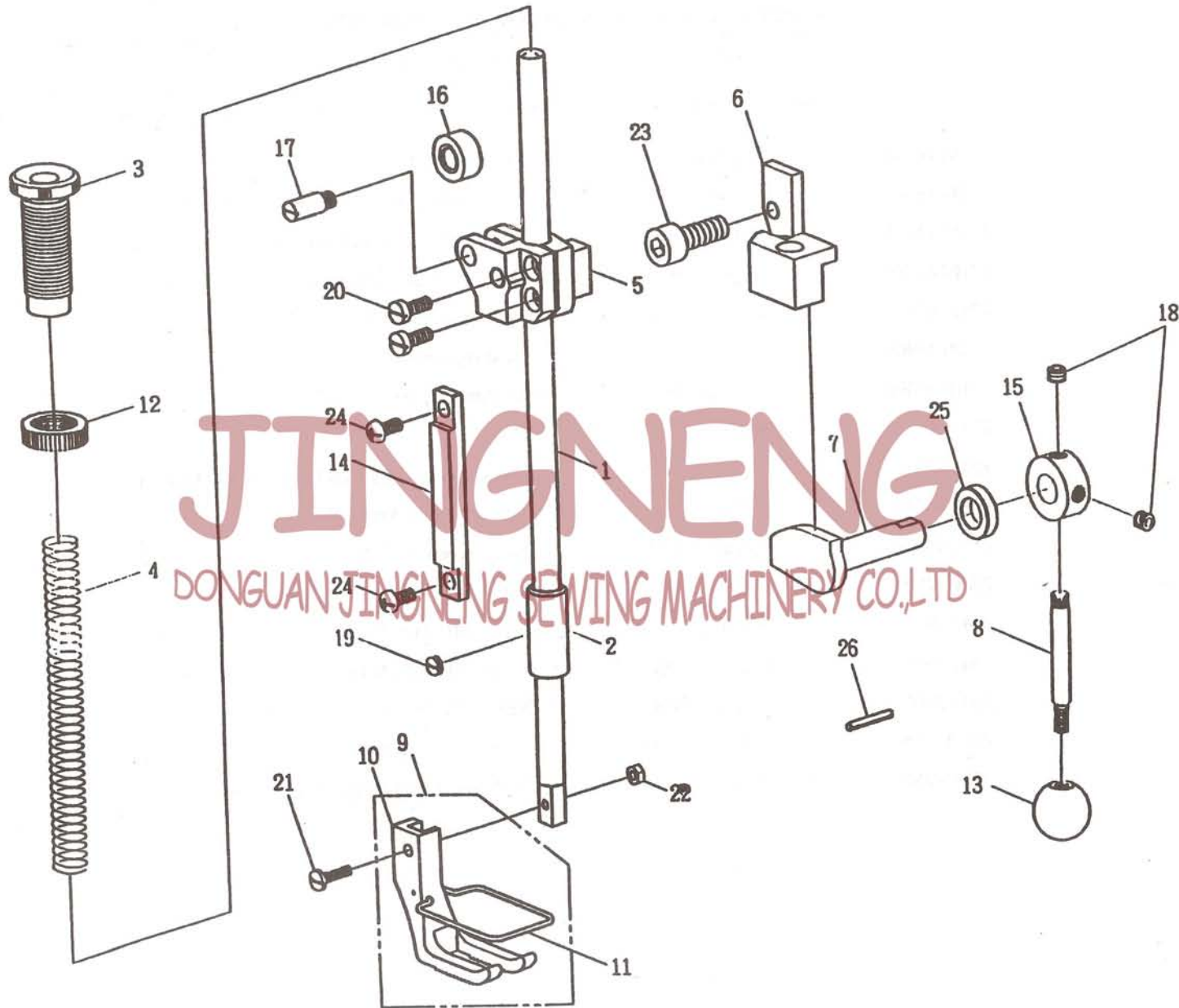
C. 243 针杆·上送料机构 NDDELE BAR·UPPER FEED MECHANISM COMPONENTS(2/3)



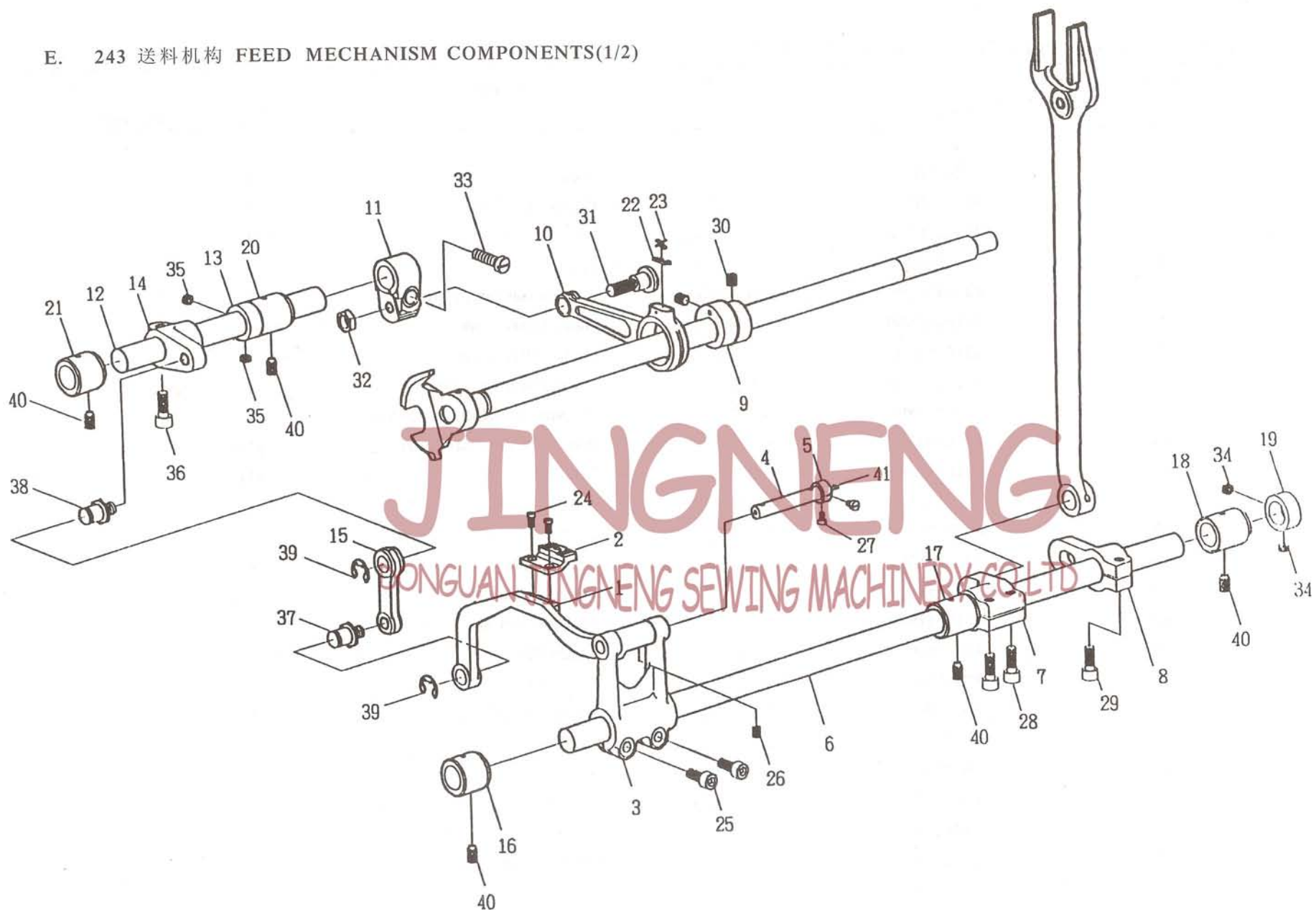
C. 243 针杆•上送料机构 NDDELE BAR•UPPER FEED MECHANISM COMPONENTS(3/3)



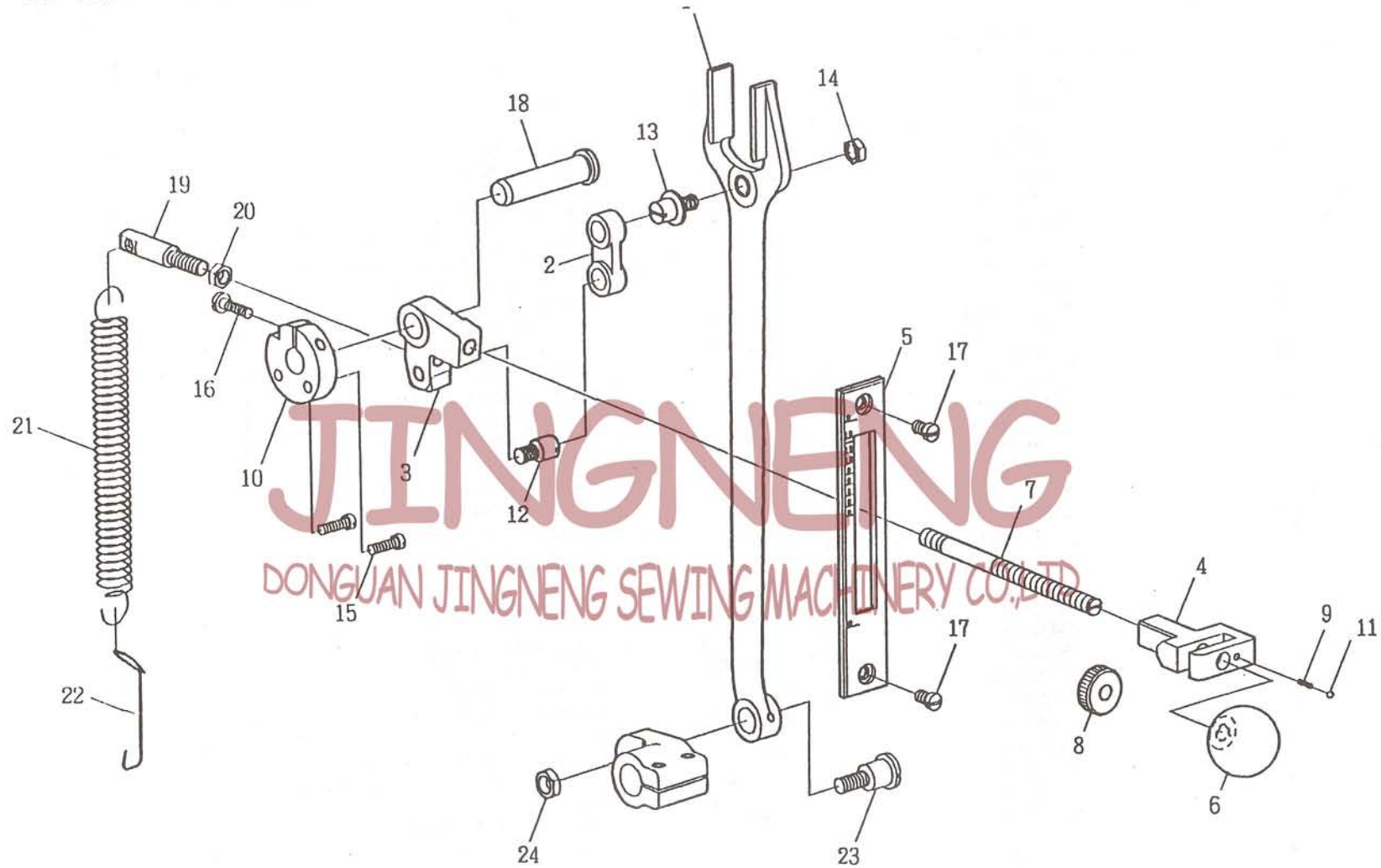
D. 243 压脚机构 PRESSUPE BAR COMPONENTS



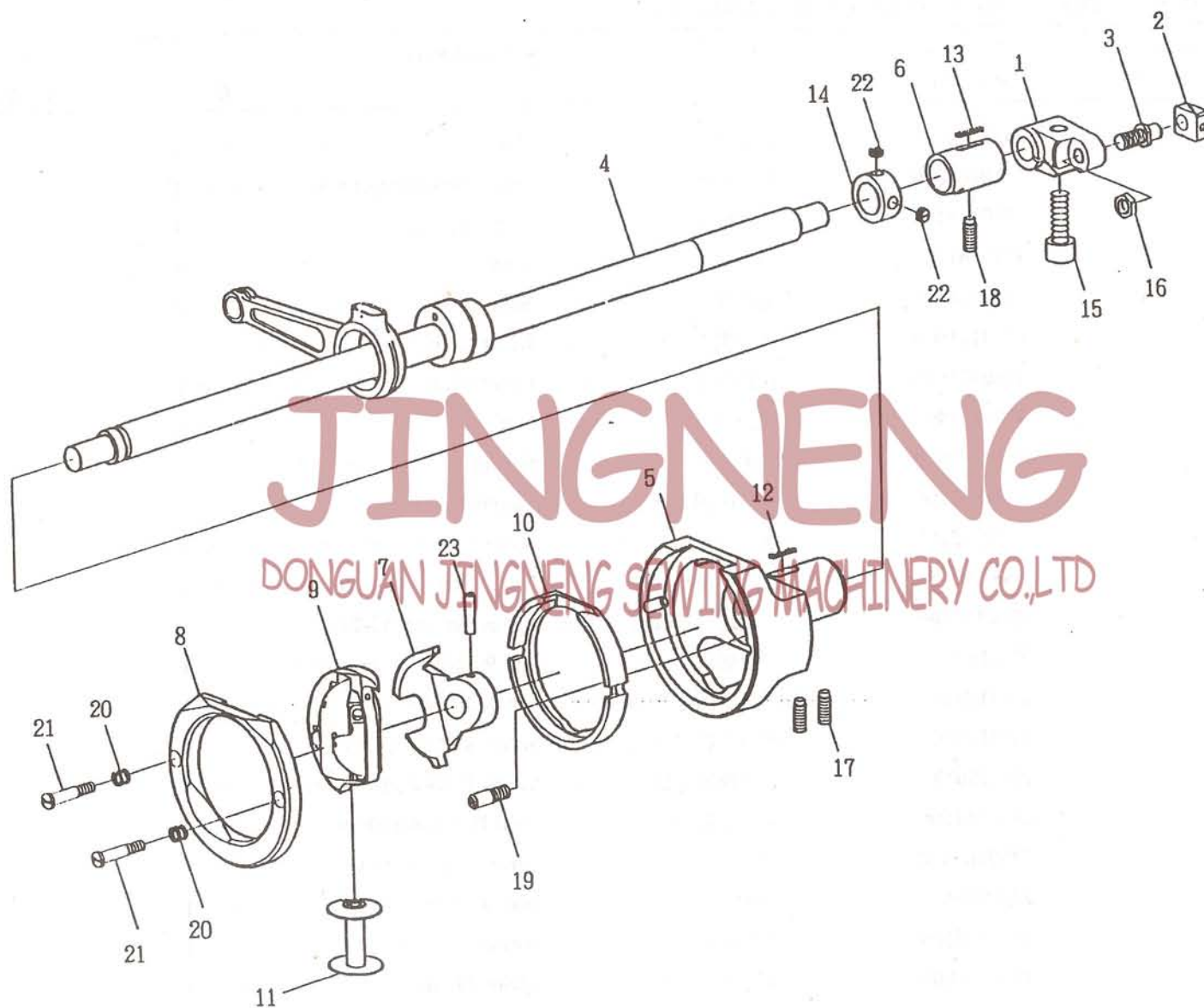
E. 243 送料机构 FEED MECHANISM COMPONENTS(1/2)



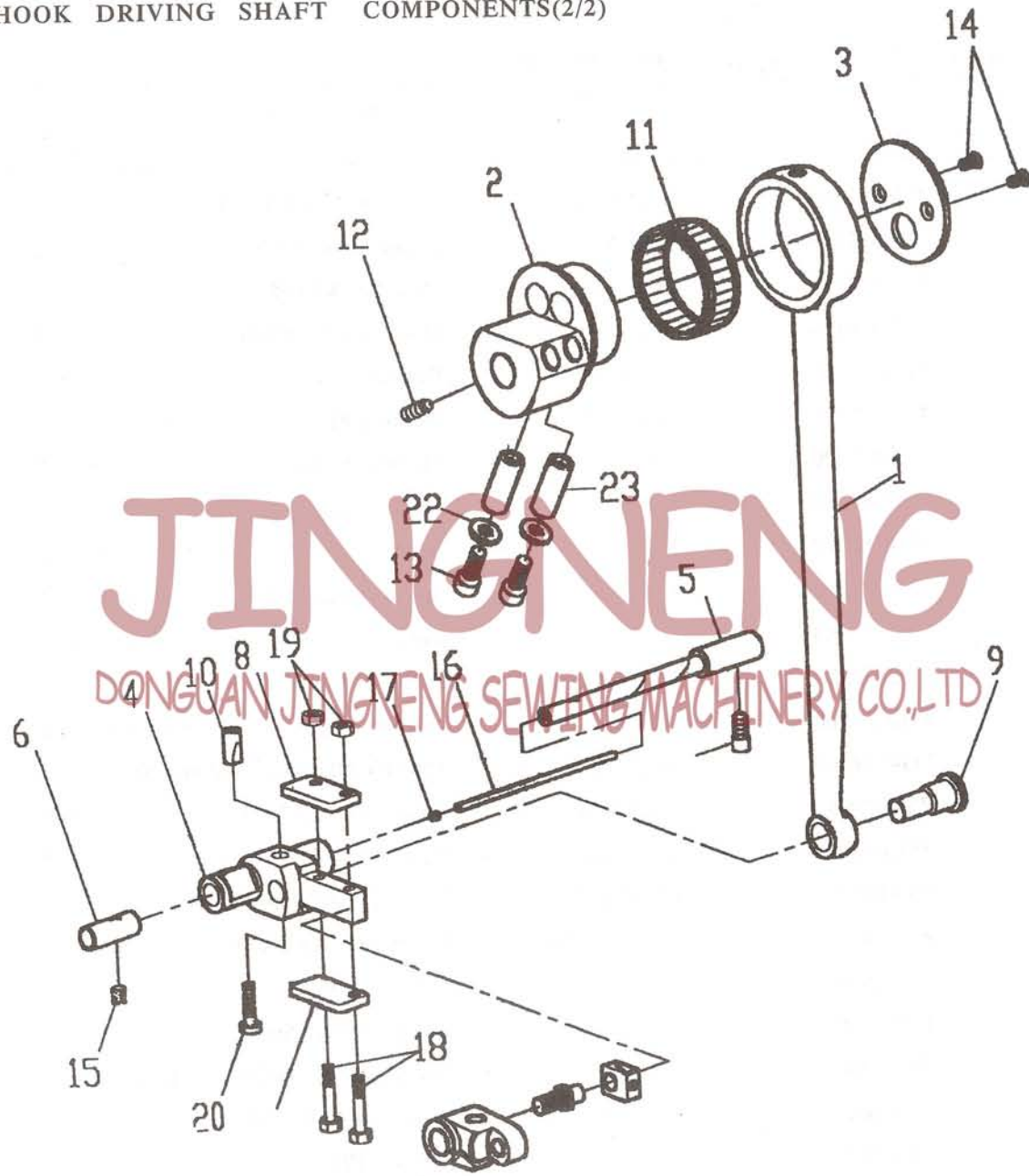
E. 243 送料机构 FEED MECHANISM COMPONENTS(2/2)



F. 243 下轴机构 HOOK DRIVING SHAFT COMPONENTS(1/2)

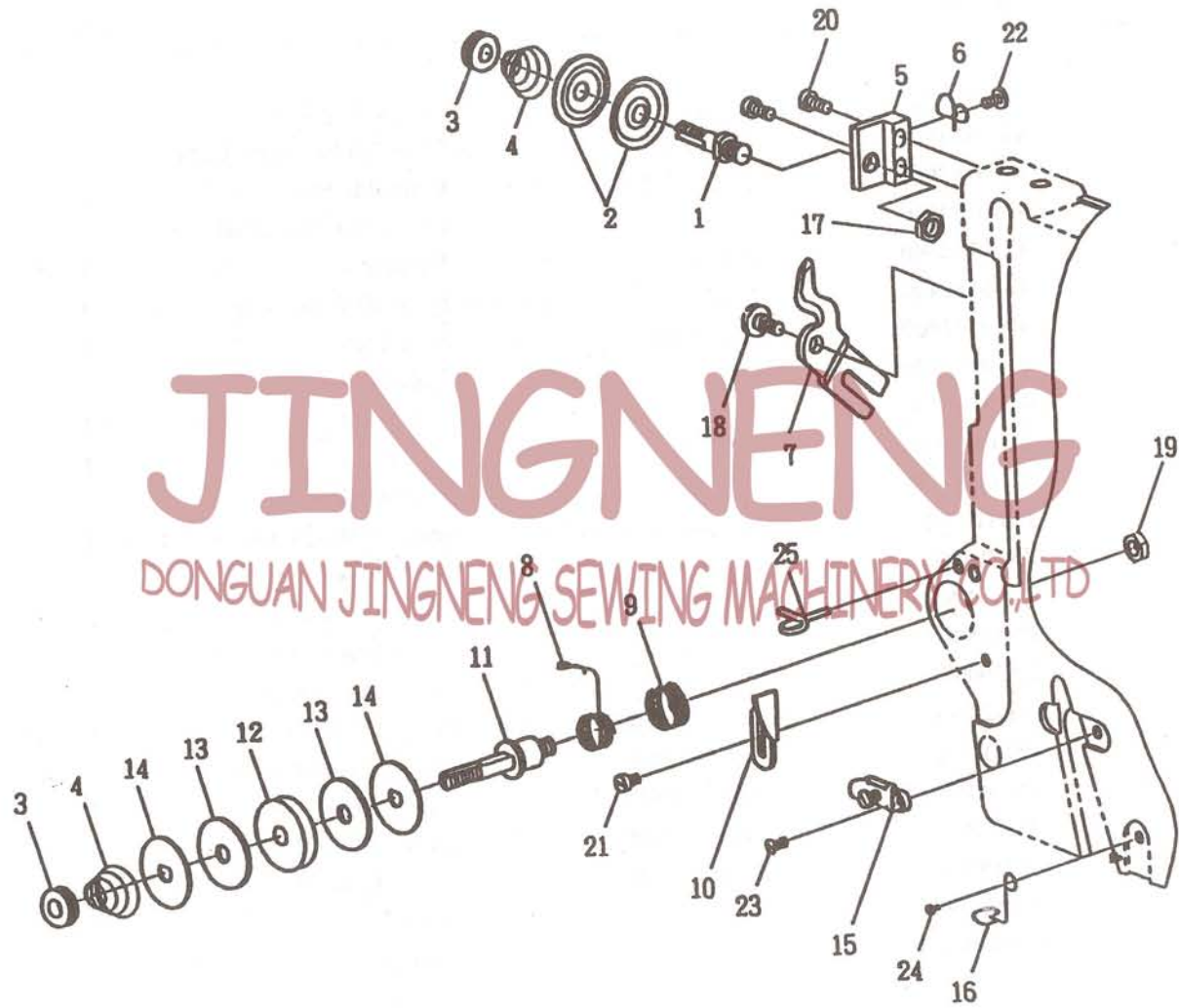


F. 243 下轴机构 HOOK DRIVING SHAFT COMPONENTS(2/2)



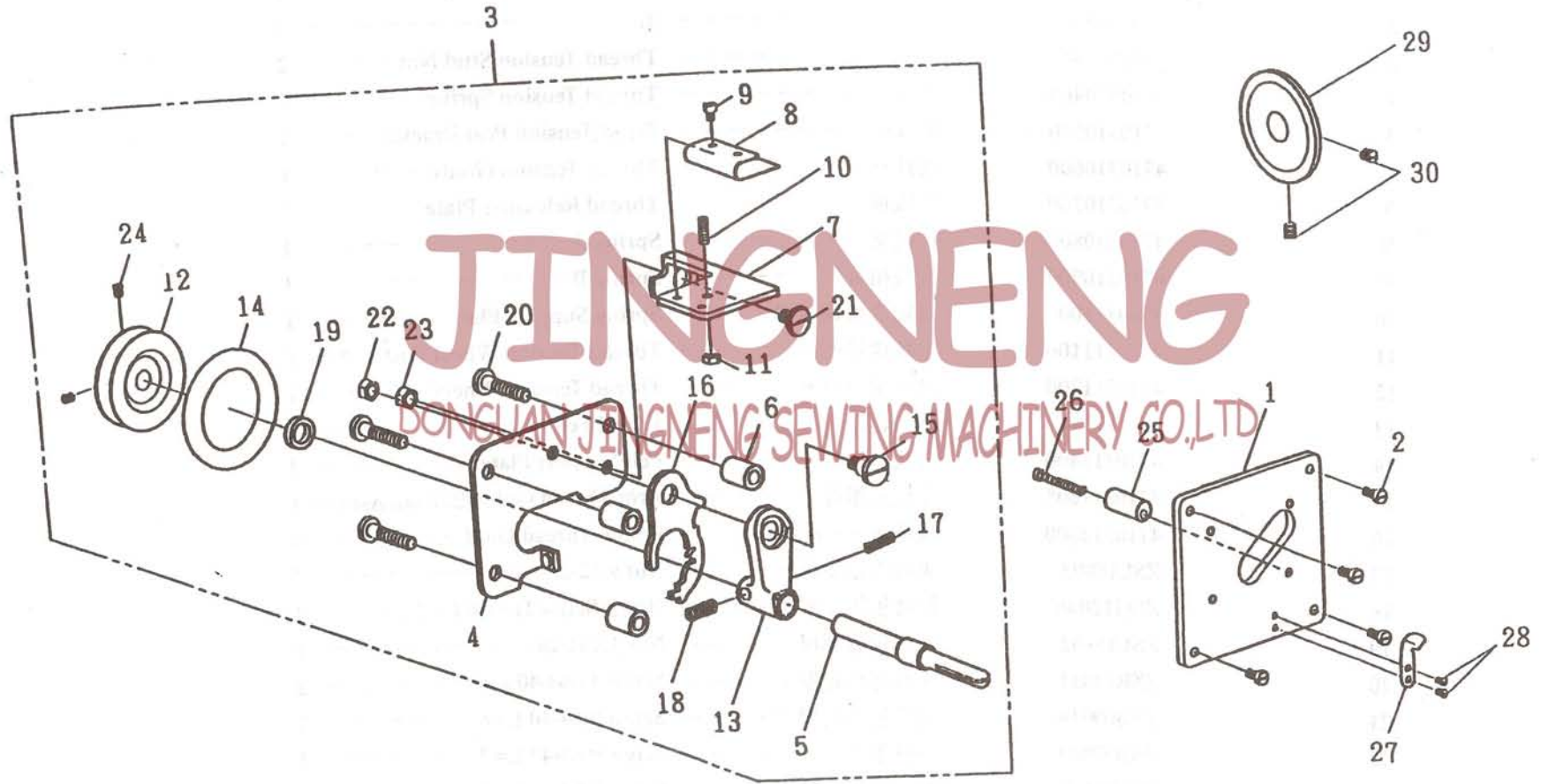
JINGNENG
DONGUAN JINGNENG SEWING MACHINERY CO.,LTD

G. 243 夹线器机构 TENSION POST COMPONENTS

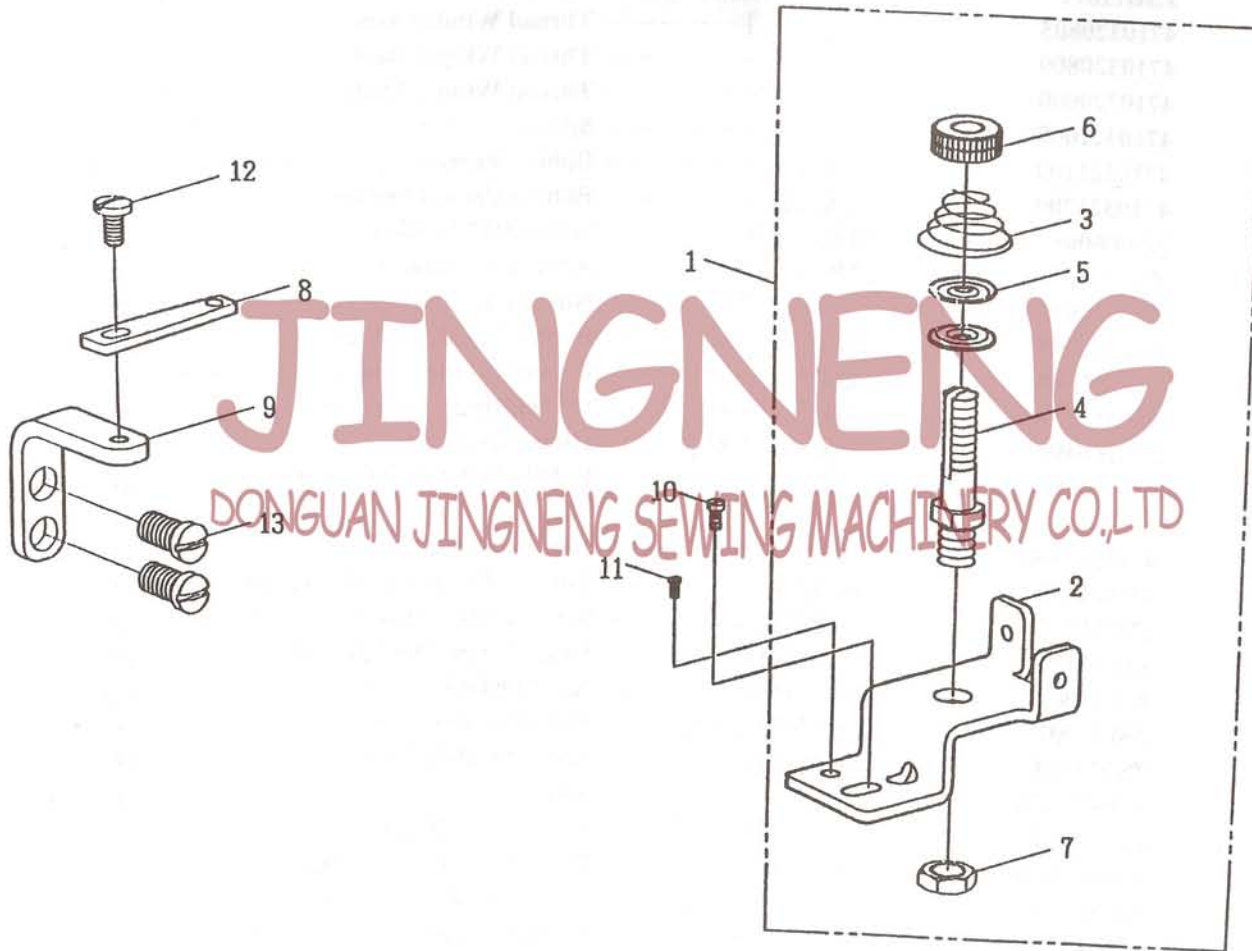


JINGNENG
DONGUAN JINGNENG SEWING MACHINERY CO., LTD

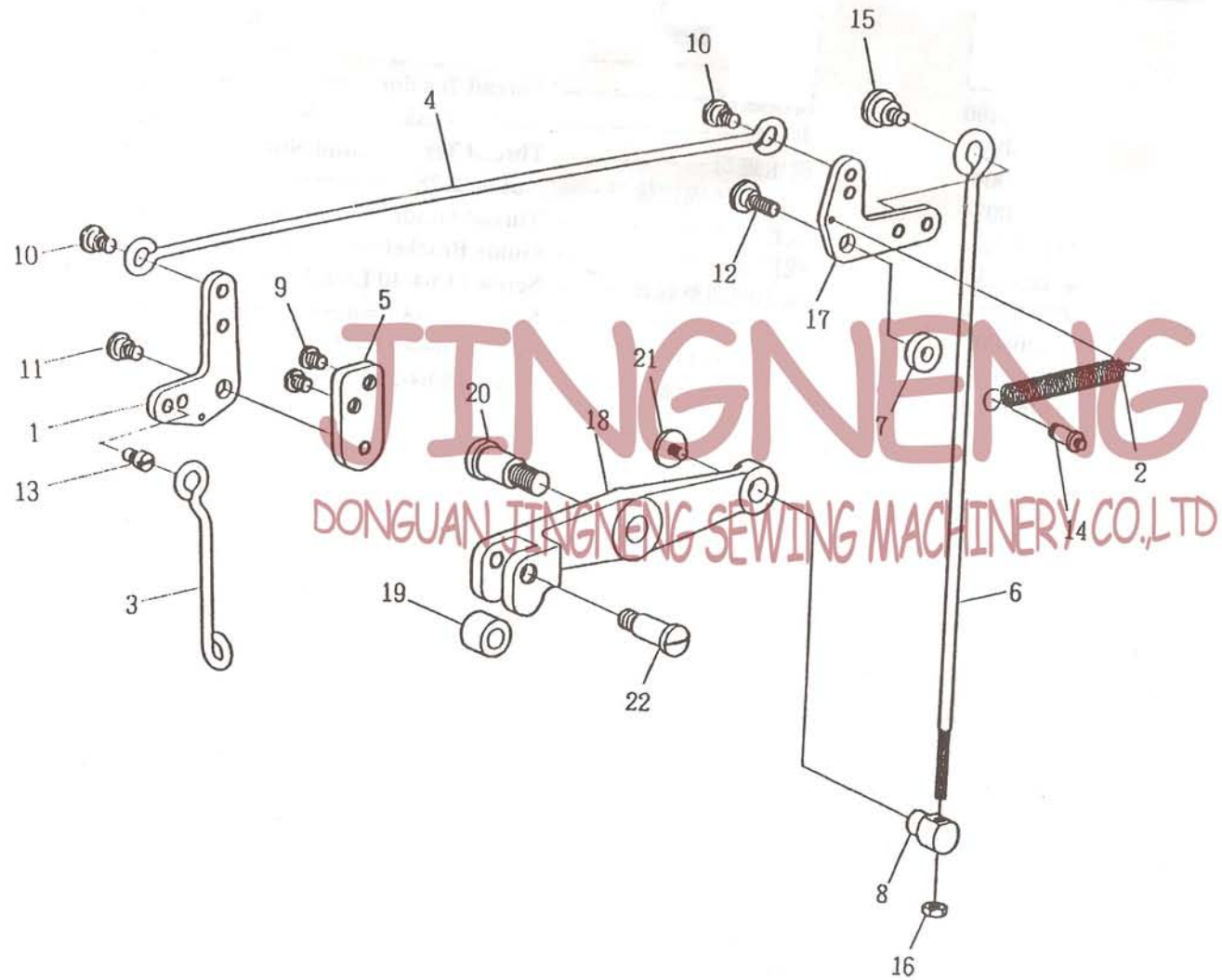
H.GA243 绕线器 穿线机构 THREAD WINDER & THREAD GUIDE COMPONENTS(1/2)



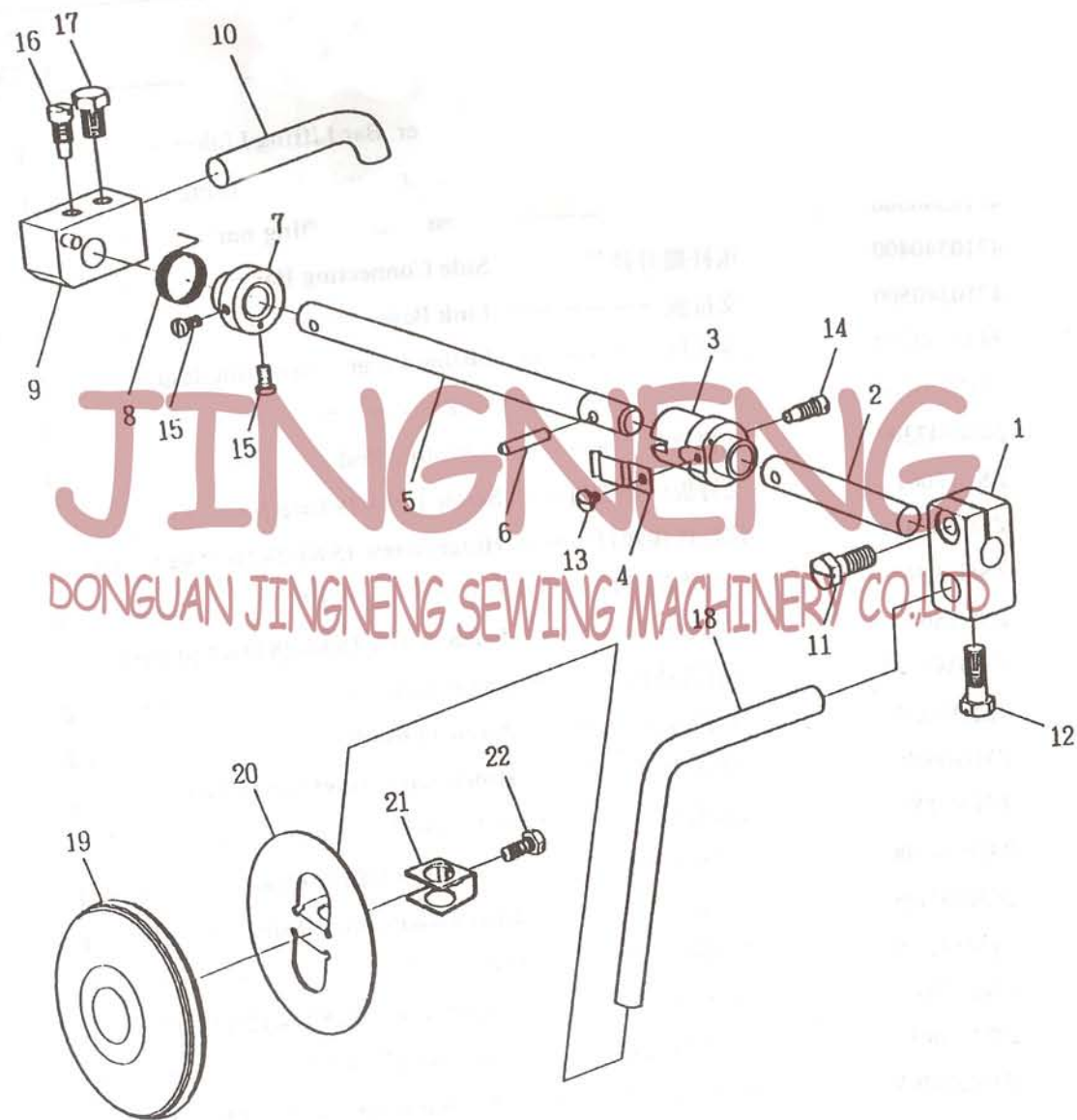
H.GA243 绕线器 穿线机构 THREAD WINDER & THREAD GUIDE COMPONENTS(2/2)



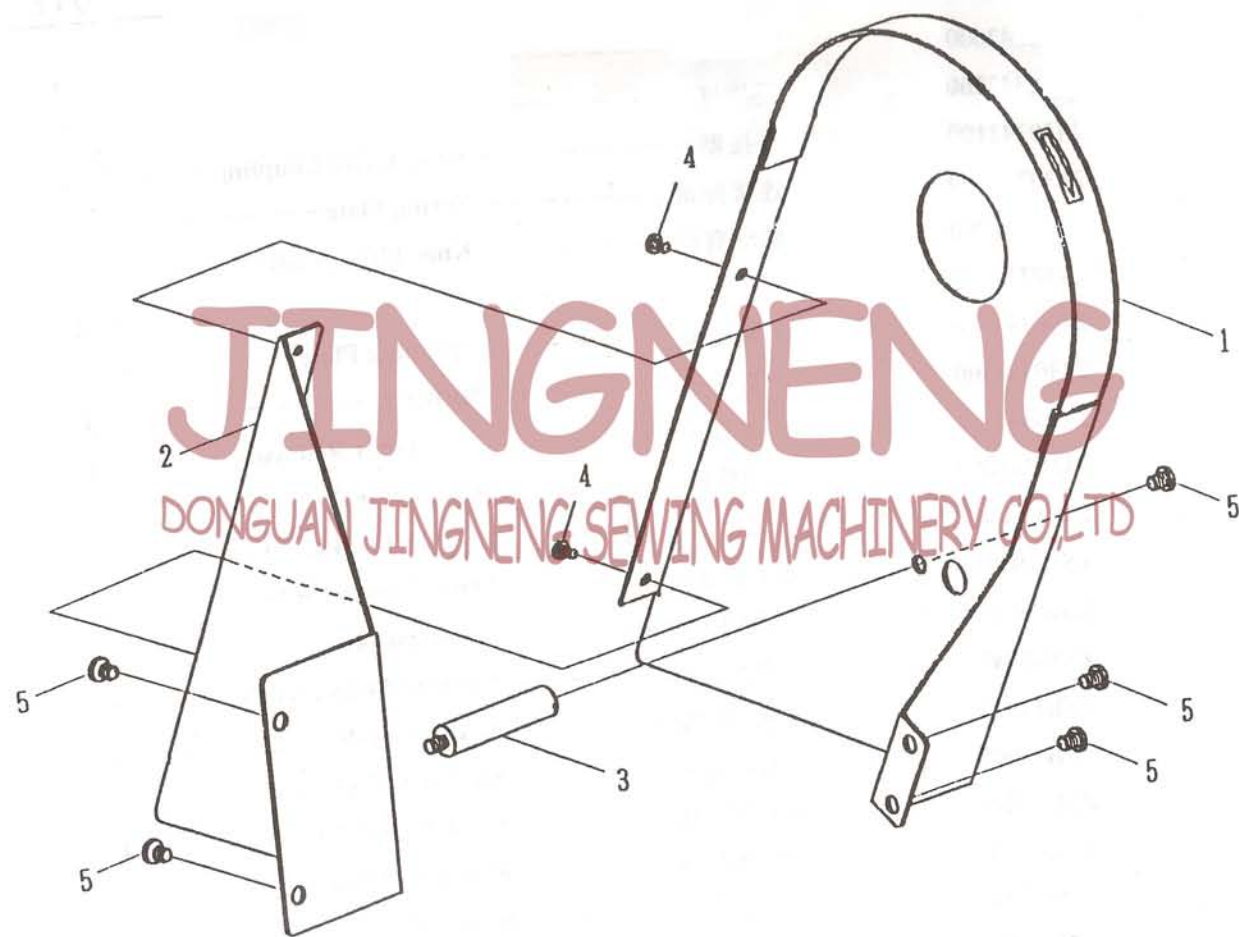
I.GA243 膝动机构 KNEE LIFTER COMPONENTS(1/2)



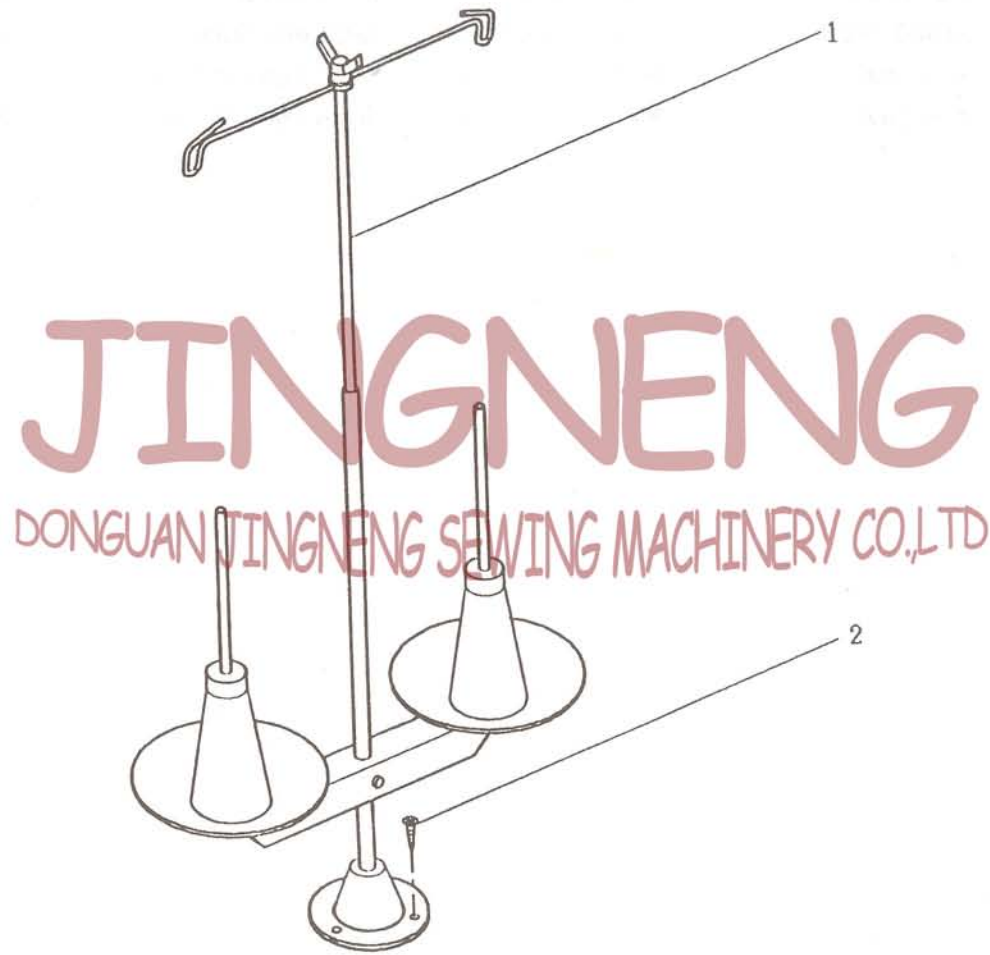
I. 243 膝上机构 KNEE LIFTER COMPONENTS(2/2)



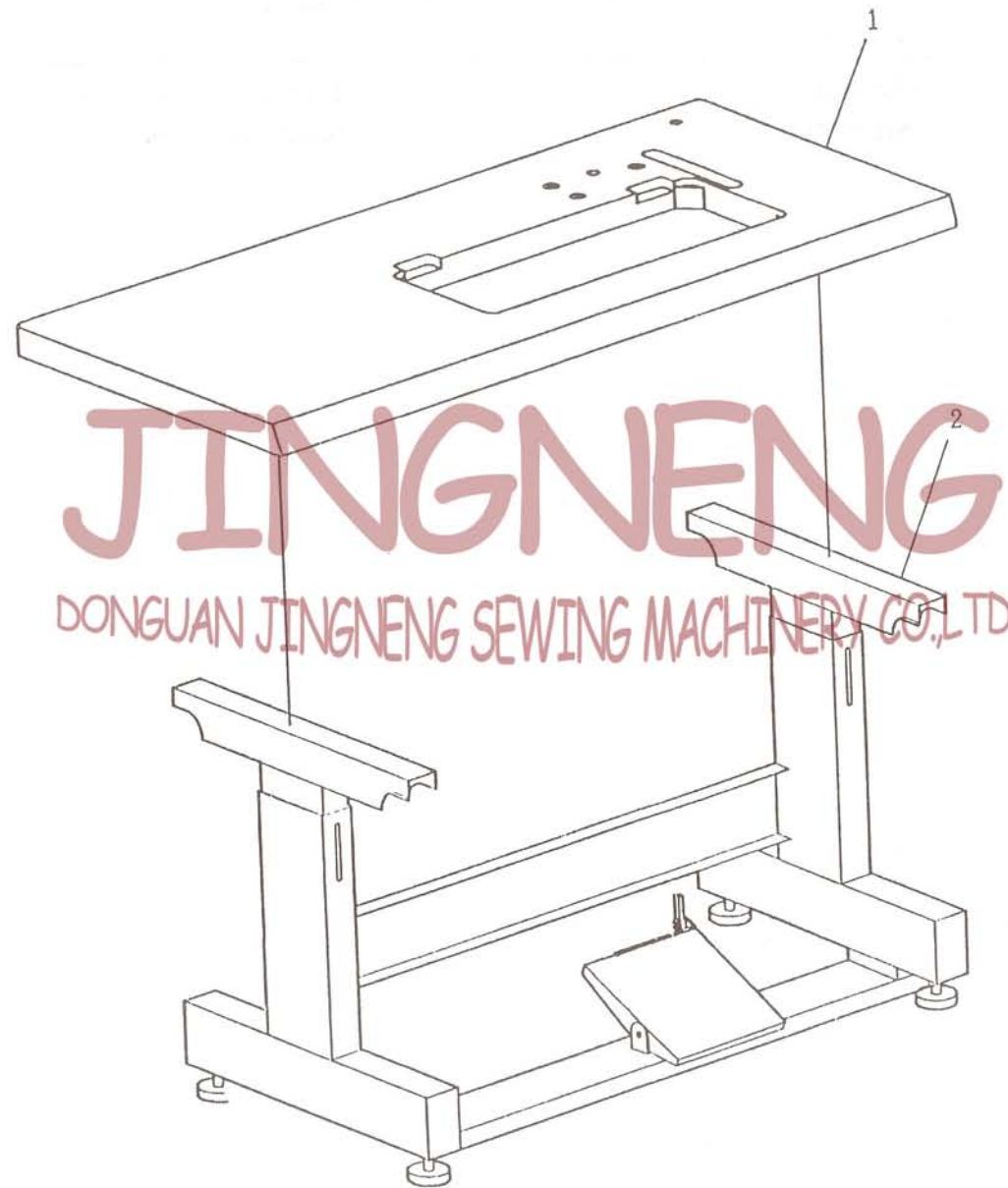
J 243 皮帶罩机构 BELT COVER COMPONENTS



K. 243 线架机构 THREAD STAND COMPONENTS



L 243 针车板机构 TABLE COMPONENTS



M. 243 附件 ACCESSORIES PARTS COMPONENTS

